

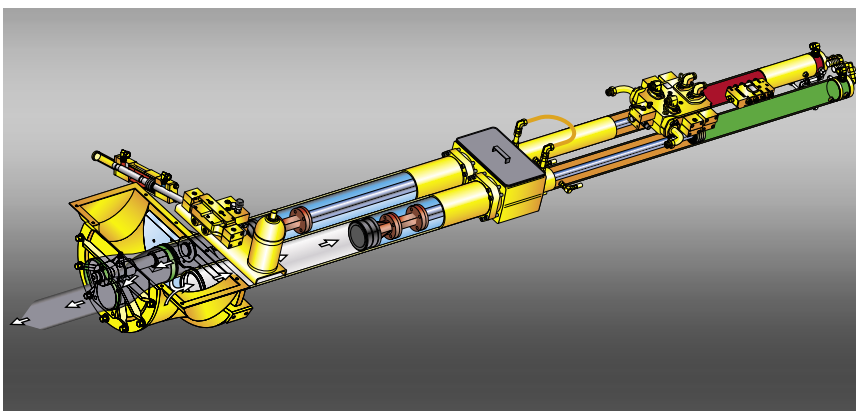
S 31 XT

Truck-Mounted concrete pump
with telescopic 5-section placing boom



TWO BOOMS IN ONE

Telescopic boom versatility combines with operational ease to provide maximum utilization.



This open loop **Generation 3** all-hydraulic concrete pump sets the standard for fuel-efficiency, reliability and performance. Twin circuit hydraulics combine with the longest stroking pumping cylinders in the industry for a smooth, continuous flow of concrete which also translates to longer boom life. **Big Rock Valve** is designed to pump the harshest mixes and provide the lowest per yard operating costs.



Patented **Vector Controls** allow two-way communication between pump and operator. Critical real-time operating data is displayed at the remote box and stored in the controller for easy retrieval.



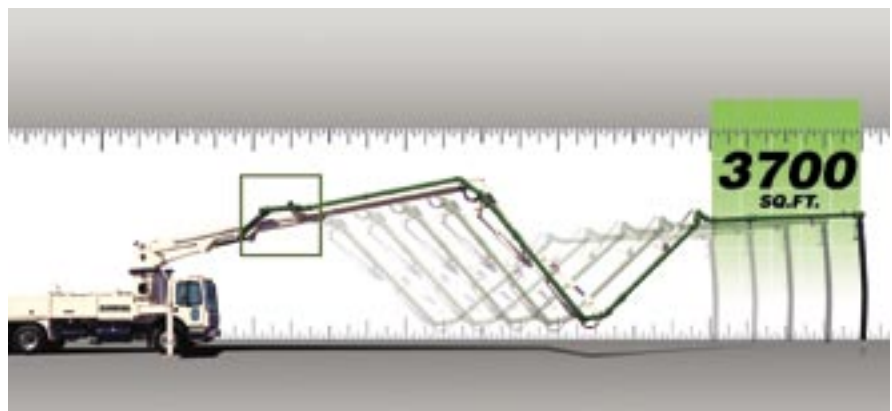
This is a concrete pump with a 5-section boom that is really two machines in one. In low overhead situations the boom needs only 18'-8" unfolding clearance opening up jobs that are unavailable to other pumps. The 15'-3" of smooth telescopic action allows the operator to position the boom with pinpoint accuracy and reach 87-feet horizontally without exceeding the unfolding height and still pour back to the front bumper. No need to adjust multiple boom sections or rely on complicated boom position sensors to keep the hose out of the pour.

When pouring in front of a laser screed on large slabs, the telescopic action is particularly convenient. Booming to a mezzanine or elevated deck is much easier with the telescopic movement giving added confidence and speed with point and shoot precision. With over 830 degrees of total boom articulation including 278-degrees at the Z-tip section, boom configurations are only limited by the operator's imagination.

After completing low overhead indoor work with the most versatile boom in the industry, the S 31 XT transitions seamlessly to everyday outdoor jobs like walls and slabs. It sets up quickly with X-style outriggers for smooth pumping on a wide variety of projects. No other pump matches the reach and utilization of this one-of-a-kind machine that owners report is the most requested pump in their fleet.



*Patented **Auto-Scissors pipeline** adjusts to all boom positions without exceeding overall height for reliable delivery of concrete to the end hose.*



***Telescopic action** and **low overhead unfolding height** adds to the operator's ability to maneuver into places no other boom can go. Standard twin wall Super 3000 pipeline and Auto-Greaser enhance long term operation and reduce maintenance.*

Only one manufacturer can supply the Schwing experience.

Thousands of our customers form a backdrop of success that you can join by letting us spec the right piece of equipment for your needs. Six company stores with technicians and parts placed strategically across the country provide service expertise as close as your phone. And a select group of knowledgeable dealers provides another layer of invaluable experience. You and your staff will be welcomed into our dedicated training facility to learn how to extract the maximum profitability from your Schwing. And your investment is backed by the exclusive Green Shield warranty that can be extended to an industry-leading three years.

Generations of successful owners have chosen the Schwing experience. As a third generation family-owned company we understand how important quality equipment is to your business and how important your business is to us.



More than 400,000 square feet are devoted to producing the highest quality concrete equipment at our [White Bear, Minnesota plant](#). From close inspection of incoming materials to forming our products with the latest robotic welding techniques, Schwing takes craftsmanship to the highest standards. Our state-of-the-art paint facility produces finished products you will be proud to put your name on. In addition, a vast inventory of parts are on hand to keep your Schwing product running at maximum efficiency. Please schedule a visit to this modern facility located minutes north of Minneapolis/St. Paul to see our long-term commitment to the market.

SPECIFICATIONS

Pump Kit on S 31 XT

2023-4 130/80 MPS

	U.S.	Metric
Theor. Concrete Output Per Hour (cubic yards - cubic meters)	170	130
Maximum Pressure on Concrete (psi - bar)	1007	70
Maximum Strokes Per Minute	26	26
Pump Cylinder Diameter (in. - mm)	9	230
Pump Cylinder Stroke Length (in. - mm)	79	2000
Differential Cylinder Size (in. - mm)	5.1	130
Maximum Aggregate Size (in. - mm)	2.5	63.5

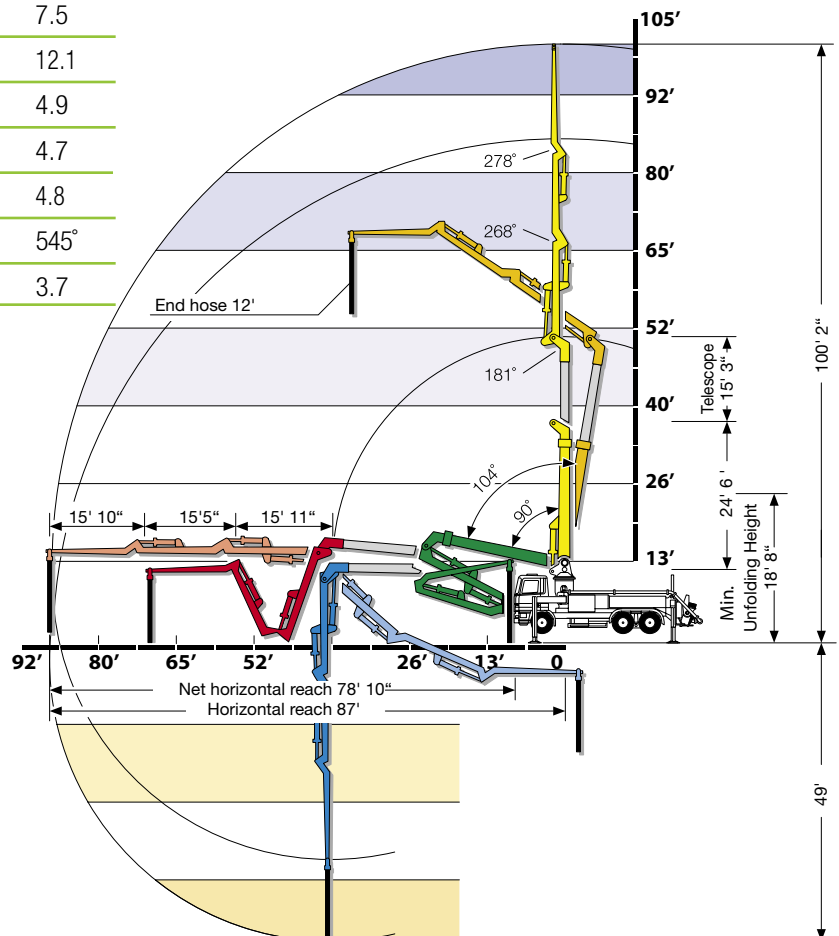
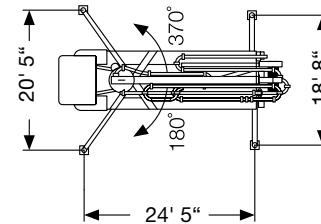
Boom Specifications

	U.S.	Metric
Pipeline Diameter (in. - mm)	5	125
Vertical Reach (ft.-in. - m)	100-2	30.5
Horizontal Reach (ft. - m)	87	26.5
Net Horizontal Reach (ft. - m)	79	24
Unfolding Height (ft.-in. - m)	18-8	5.7

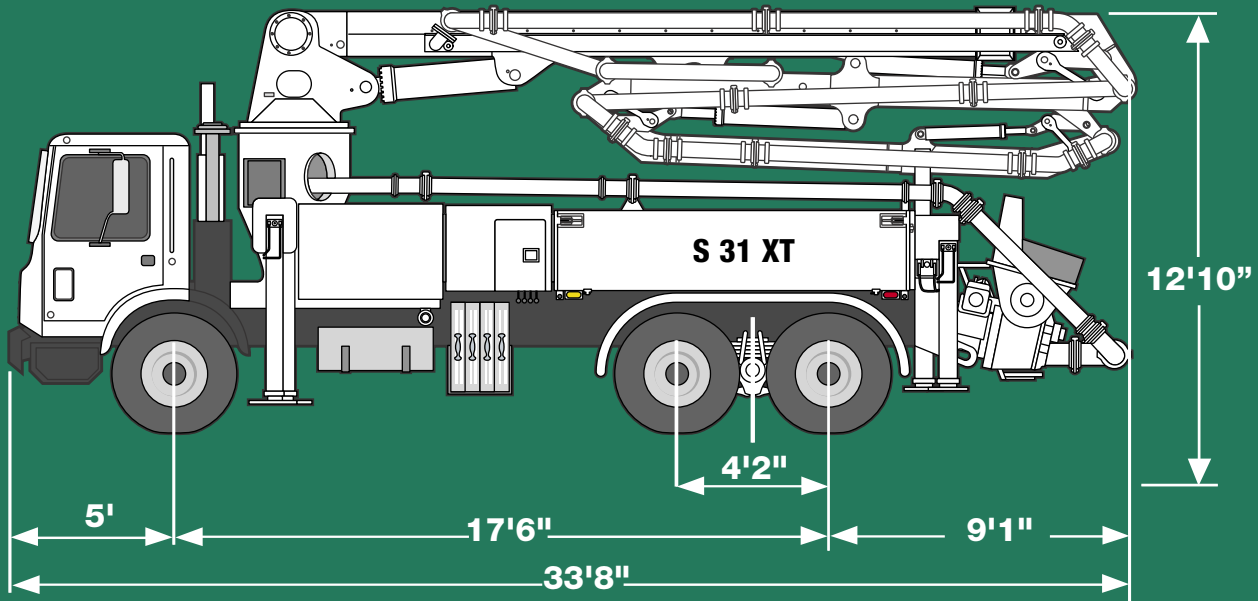
Section Lengths

First Section-Retracted (ft.-in. - m)	24-6	7.5
First Section-Extended (ft.-in. - m)	39-9	12.1
Second Section (ft.-in. - m)	15-11	4.9
Third Section (ft.-in. - m)	15-5	4.7
Tip Section (ft.-in. - m)	15-10	4.8
Slewing Range (degrees)	545°	545°
End hose length (ft. - m)	12	3.7

Specifications are subject to change without prior notice.



S 31 XT (Dimensions shown apply to Mack truck mounted units and may vary unit to unit or for other makes and models of trucks.)

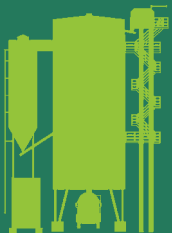


SCHWING-STETTER MOVES CONCRETE. **WORLDWIDE.**

Wherever concrete is produced and moved is where you will find Schwing-Stetter machinery.

With plants in Germany, Austria, USA, Brazil, Russia, China and India as well as with more than 100 sales and service facilities, the group of companies is always close to the customer.

Our wide range of products with something for every application is what makes Schwing-Stetter the No. 1 system supplier for concrete machinery worldwide.



CONCRETE
BATCHING PLANTS



TRUCK
MIXERS



TRUCK-MOUNTED
CONCRETE PUMPS



STATIONARY
CONCRETE PUMPS



SEPARATE
PLACING BOOMS



CONCRETE
RECYCLERS

1/09 - 1M



5900 Centerville Road | St. Paul, MN 55127 | TEL 1-888-SCHWING
FAX 651-429-3464 | www.schwing.com